



FM-300H/R CHEMICAL METER

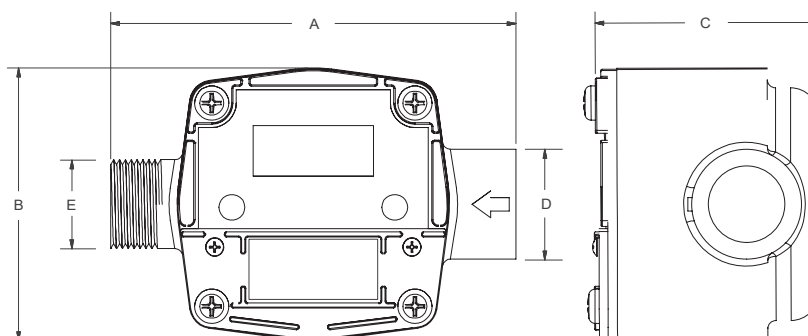
The most accurate and versatile agricultural chemical meter on the market. Factory calibrated for thin and medium to thick fluids, even oils. This Nutating disc meter comes with a electronic display. Keeps both batch and cumulative totals.

- Flow range is 2 to 20 GPM (7 to 75 L/min)
- Typical accuracy with Factory Calibration is $\pm 2\%$, Field Calibration is $\pm 0.5\%$
- Durable PBT Polyester construction
- Choice of gallon or litre measurement

FEATURES / BENEFITS

- Simple, small and sturdy Electronic Digital Disc Meter with rugged PBT housing
- Mount on the end of a hose or a pipe, in-line
- Complete meter, including disc assembly, micro-processor and LCD readout
- Factory calibrated for thin and medium fluids - field calibrate for more viscous fluids

DIMENSIONS	
	Inches (mm)
A. Width	6.00 (152.4)
B. Height	4.03 (109.2)
C. Depth	3.30 (88.3)
D. Inlet Port Outside Diameter	1.64 (41.7)
E. Outlet Port Thread Diameter	1.31 (33.3)



SPECIFICATIONS

Design Type:	Nutating Disc with Electronic Display	
Fitting Size:	1"	
Fitting Type:	Inlet: NPT (Female) Output: NPT (Male)	
Flowrate:	2 - 20 GPM (7 - 75 L/min)	
Accuracy (% of Reading):	$\pm 2.0\%$	
Pressure Rating:	50 psi (3.4 bar)	
Operating Temperature Range:	15° F to 130° F (-9° C to 54° C)	
Wetted Materials:	Housing:	PBT Polyester
	Fluid Chamber:	PBT Polyester
	Signal Generator Kit:	PBT Polyester / Ferrite
	Seals:	Fluorocarbon
	Clip:	316 Stainless Steel
Shipping Weight (approx.):	3 lbs. (1.4 kg)	
Display Options:	Local Display includes: Rate of Flow, Batch and Cumulative Totals. Factory and Field Calibration.	

APPLICATIONS

- Fertilizers
- Oil
- Pesticides
- Water

APPROVALS

